

## Avionic AC Line Filter

<b>85 to 264 Vrms</b> Input Voltage	<b>11.5 Arms</b> Output Current	<b>1 kW @ 115 Vrms</b> <b>2 kW @ 230 Vrms</b> Output Power	<b>195mΩ</b> Max Series Resistance	<b>&gt;30dB @ 200 kHz</b> Differential & Common-mode Attenuation
----------------------------------------	------------------------------------	------------------------------------------------------------------	---------------------------------------	---------------------------------------------------------------------

Full Power Operation: -40°C to +100°C

The AeroQor EMI AC Line Filters brings SynQor's field proven technology and manufacturing expertise to the Avionics COTS Component marketplace. SynQor's innovative packaging approach ensures survivability in the most hostile environments. Compatible with the industry standard format, these filters have high differential-mode and common-mode attenuation and low series resistance. They follow conservative component derating guidelines and they are designed and manufactured to the highest standards.



Designed and manufactured in the USA

### Operational Features

- -40 °C to +100 °C Operation
- 11.5 Arms output current
- Very low series resistance
- High Differential & Common-mode Attenuation
- All capacitors are safety-rated X7R multi-layer ceramic
- Meets common EMC standards in properly designed system with SynQor APFIC modules.

### In-Line Manufacturing Process

- AS9100 and ISO 9001 certified facility
- Full component traceability

### Mechanical Features

- Industry standard Half-brick size
- Size: 2.486" x 2.386" x 0.512" (63.14 x 60.60 x 13.0 mm)
- Weight: 5.0 oz (142 g)

### Specification Compliance

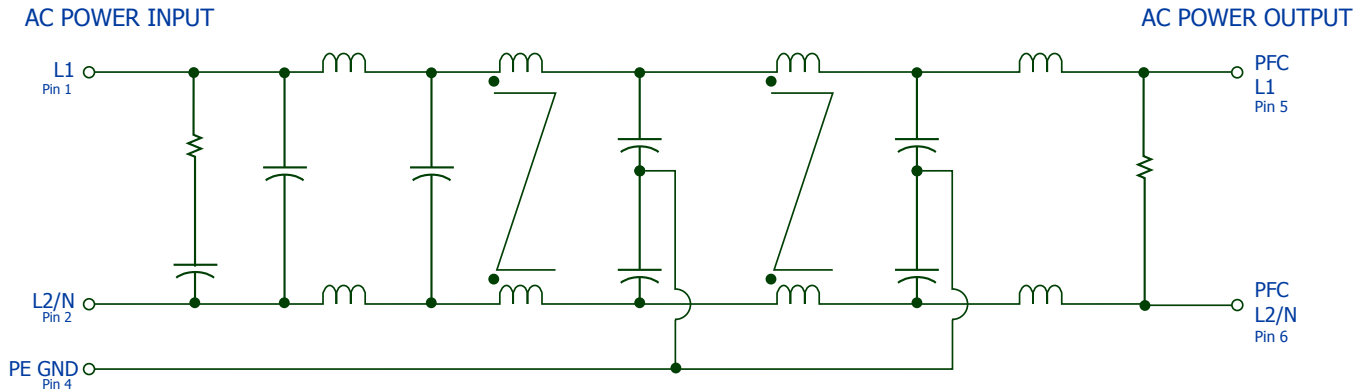
- RTCA DO-160
- Airbus ABD0100.1.8
- Boeing 787B3
- Boeing D6-36440
- Boeing D6-44588
- CE marked

### Contents

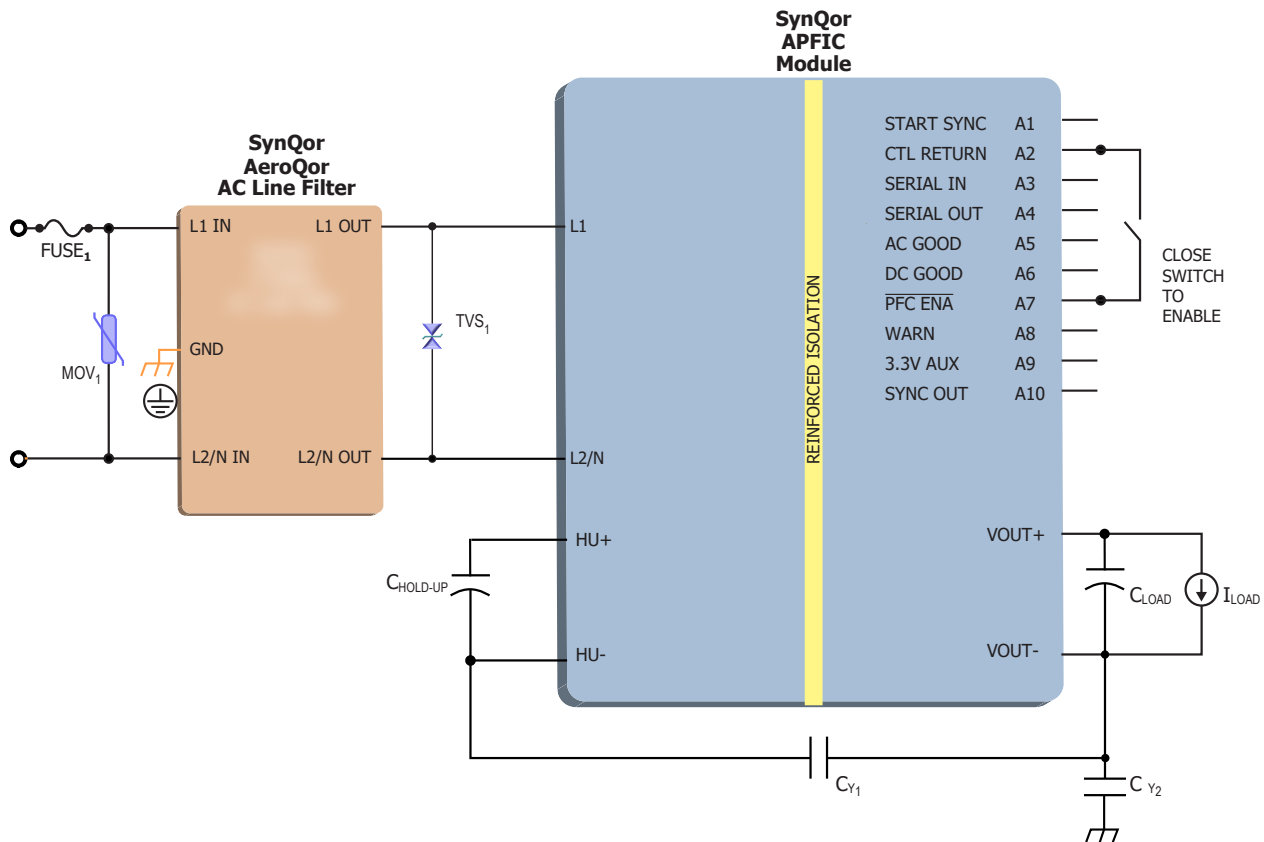
	Page No.
Technical Diagrams . . . . .	2
Technical Specification . . . . .	3
Standards & Qualification . . . . .	5
Encased Mechanical . . . . .	6
Ordering Information . . . . .	8

## Technical Diagrams

### Fundamental Circuit Diagram



### Typical Connection Diagram



- MOV 1: 300VAC, 60J; (EPCOS S10K300E2)
- TVS 1: 400V, 3J; (Two VISHAY 1.5KE200CA devices connected in series)
- C Hold-up: 450V, 390 $\mu$ F; (United Chemi-Con ELXS451VSN391MR50S)
- Fuse 1: 250VAC, 12.5A; (Littelfuse 021612.5MXEP)
- C Y1: 10nF, 250VAC; Knowles Syfer 2220YA250103KXTB16
- C Y2: 10nF, 250VAC; Knowles Syfer 2220YA250103KXTB16



**ACF-U-230-HP-x**  
**Input: 85 to 264 Vrms**  
**Output: 45-800 Hz**  
**Current: 11.5 Arms**

## Technical Specification

### ACF-U-230-HP-x Electrical Characteristics

Operating conditions of  $V_{in} \leq 264V_{rms}$ ,  $I_{out} \leq 11.5A_{rms}$  unless otherwise specified, and baseplate temperature = 25°C unless otherwise noted; full operating baseplate temperature range is -40 °C to +100 °C. Specifications subject to change without notice.

Parameter	Min.	Typ.	Max.	Units	Notes & Conditions
<b>ABSOLUTE MAXIMUM RATINGS</b>					
Input Voltage (Continuous)			264	Vrms	
Isolation Voltage			2500	Vdc	Input/output to PE GND pin & baseplate
Output Current (Continuous)			11.5	Arms	
Output Current (Surge)			400	A <sup>2</sup> S	
Operating Temperature	-40		100	°C	Baseplate temperature
Storage Temperature	-45		135	°C	
<b>RECOMMENDED OPERATING CONDITIONS</b>					
Input Voltage (Continuous)			250	Vrms	
Output Current (Continuous)			11.5	Arms	
Input Frequency	45		800	Hz	
<b>ELECTRICAL CHARACTERISTICS</b>					
Output Voltage (Continuous)	$V_{out} = V_{in} - (I_{in} \times R_s)$			V	
Series Resistance $R_s$					Total
$T_{case} = 25^\circ C$		130		mΩ	
$T_{case} = 100^\circ C$			195	mΩ	
Power Dissipation					11.5Arms output current
$T_{case} = 25^\circ C$		17.2		W	
$T_{case} = 100^\circ C$			25.8	W	
Total Differential-Mode Capacitance		0.8		μF	Measured across input or output pins
Total Common-Mode Capacitance		2 x 20		nF	Measured between PE GND pin and any other pin
Leakage current in PE GND Pin			1.9	mArms	250Vrms L-N 50Hz, See Note 1
Noise Attenuation					See Fig 1
Isolation Resistance	100			MΩ	Any pin to PE GND pin
<b>RELIABILITY CHARACTERISTICS</b>					
Calculated MTBF (MIL-217) per MIL-HDBK-217F		243		10 <sup>6</sup> Hrs.	Ground Benign, $T_b = 70^\circ C$
Calculated MTBF (MIL-217) per MIL-HDBK-217F		17		10 <sup>6</sup> Hrs.	Ground Mobile, $T_b = 70^\circ C$

**Note 1:** If the neutral line is interrupted, leakage current may reach twice this level.



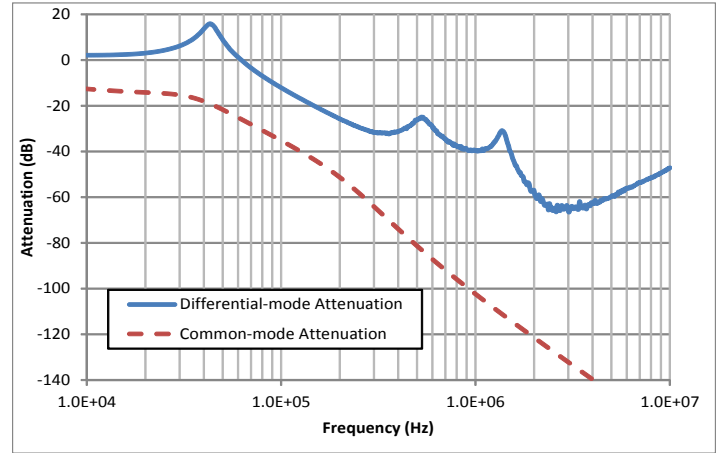
**ACF-U-230-HP-x**  
**Input: 85 to 264 Vrms**  
**Output: 45-800 Hz**  
**Current: 11.5 Arms**

## BASIC OPERATION AND FEATURES

This module is a multi-stage differential-mode and common-mode passive EMI filter designed to interface an AC power source with a SynQor APFIC module and one or more SynQor converters (or other loads that create EMI). Each stage of this filter is well damped to avoid resonances and oscillations. Only X7R multi-layer ceramic safety rated capacitors are used.

A typical application would place the AeroQor AC line filter close to the AC input power entry point. The AC Line Filter GND pin would be connected to the chassis ground that is common with AC input power protective earth (PE GND) or other earthed point used for EMI measurement. There are no connections to the metal baseplate, which may also be connected to the chassis ground if desired.

Do not connect the outputs of multiple AeroQor AC line filters in parallel. Connecting filters in this manner may result in slightly unequal currents to flow in the positive and return paths of each filter. These unequal currents will cause the internal common-mode chokes to saturate and thus cause degraded common-mode rejection performance.



*Figure 1: Typical Common Mode and Differential Mode Attenuation provided by the filter as a function of frequency. Source and load resistance are 50Ω.*



**ACF-U-230-HP-x**  
**Input: 85 to 264 Vrms**  
**Output: 45-800 Hz**  
**Current: 11.5 Arms**

## Standards & Qualification

Parameter | Notes & Conditions

### STANDARDS COMPLIANCE

CE Marked

Note: An external input fuse must always be used to meet these safety requirements. Contact SynQor for official safety certificates on new releases or download from the SynQor website.

Parameter | # Units | Test Conditions

### QUALIFICATION TESTING

Parameter	# Units	Test Conditions
Cold Temperature - Ground Survival	5	RTCA/DO-160G Section 4.5.1
Hot Temperature - Ground Survival	5	RTCA/DO-160G Section 4.5.3
Cold Temperature - Operating	5	RTCA/DO-160G Section 4.5.2
Hot Temperature - Operating	5	RTCA/DO-160G Section 4.5.4
Temperature Variation	5	RTCA/DO-160G Section 5.3.1
Temperature Cycling	5	MIL-STD-810G Method 503.5 – Procedure I
Humidity	3	RTCA/DO-160G Section 6.3.1 (Category A)
Waterproofness - Condensing	3	RTCA/DO-160G Section 10.3.1 (Category Y)
Fungus Resistance	1	MIL-STD-810G Method 508.6
Vibration - Fixed Wing and Helicopter	5	RTCA/DO-160G Sections 8.5.2 (Level B4), 8.8.3 (Levels G and F1)
Operational Shock and Crash Safety	5	RTCA/DO-160G Section 7.2.1, 7.3.1, and 7.3.3 (Category B)
Altitude - Steady State	5	RTCA/DO-160G Section 4.6.1; 70,000 ft (21 km), see note
Altitude - Decompression	5	RTCA/DO-160G Section 4.6.2
Design Marginality	5	Tmin-10 °C to Tmax+10 °C, 5 °C steps, Vin = min to max, 0-105% load
Life Test	32	95% rated Vin and load, units at derating point, 1000 hours
Solderability	15 pins	MIL-STD-883, Method 2003

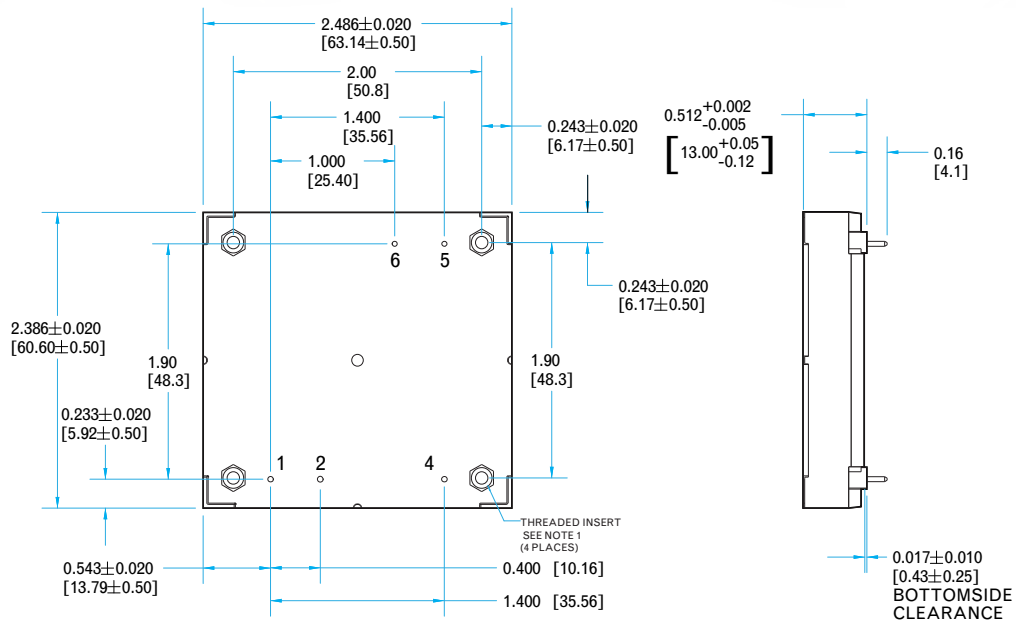
Note: A conductive cooling design is generally needed for high altitude applications because of naturally poor convection cooling at rare atmospheres.

Category Description	Single-Phase 115Vrms Specification Compliance
Input Voltage	787B3-0147, D6-44588, Airbus ABD0100.1.8, RTCA/DO-160G
Switching Transients	787B3-0147, D6-44588, Airbus ABD0100.1.8, RTCA/DO-160G, EN61000-4-4, EN61000-4-5
Voltage Spikes	787B3-0147, D6-44588, Airbus ABD0100.1.8, RTCA/DO-160G, EN61000-4-6
Frequency Transients	787B3-0147, D6-44588, Airbus ABD0100.1.8, RTCA/DO-160G
Harmonic Content	787B3-0147, D6-44588, Airbus ABD0100.1.8, RTCA/DO-160G, EN61000-3-2, MIL-STD-1399
DC Content on Input Voltage	787B3-0147, D6-44588, Airbus ABD0100.1.8, RTCA/DO-160G
Audio Frequency Conducted Susceptibility	D6-36440, RTCA/DO-160G
Audio Frequency Conducted Emissions	D6-36440, RTCA/DO-160G
Induced Signal Susceptibility	D6-36440, RTCA/DO-160G, EN61000-4-6
Conductive Emissions	D6-36440, RTCA/DO-160G, EN55011/22
Magnetic Effect	D6-36440, RTCA/DO-160G, EN61000-4-11
Radiated Emissions	D6-36440, RTCA/DO-160G, EN61000-4-3
Electrostatic Discharge	D6-36440, RTCA/DO-160G, EN61000-4-2
Electrical Bonding and Grounding	D6-36440, D6-44588, UL 60950-1
Lightning Requirements	D6-36440, D6-16050-5, RTCA/DO-160G
Reliability	Telcordia, MIL-HDBK-217F



Encased Mechanical

**ACF-U-230-HP-x**  
**Input: 85 to 264 Vrms**  
**Output: 45-800 Hz**  
**Current: 11.5 Arms**



**NOTES**

- 1) Applied torque per M3 screw is not to exceed 6in-lb (0.7 Nm).  
Non-Threaded: Dia 0.125" (3.18 mm)
- 2) Baseplate flatness tolerance is 0.004" (.10 mm) TIR for surface.
- 3) Pins are 0.040" (1.02mm) diameter, with 0.080" (2.03mm) diameter standoff shoulders.
- 4) All Pins: Material - Copper Alloy  
Finish: Matte Tin over Nickel plate
- 5) Undimensioned components only for visual reference.
- 6) Weight: 5.0 oz (142 g)
- 7) All dimensions in inches (mm)  
Tolerances: x.xx +/-0.02 in. (x.x +/-0.5mm)  
x.xxx +/-0.010 in. (x.xx +/-0.25mm)  
- unless otherwise noted.
- 8) Workmanship: Meets or exceeds current IPC-A-610 Class II

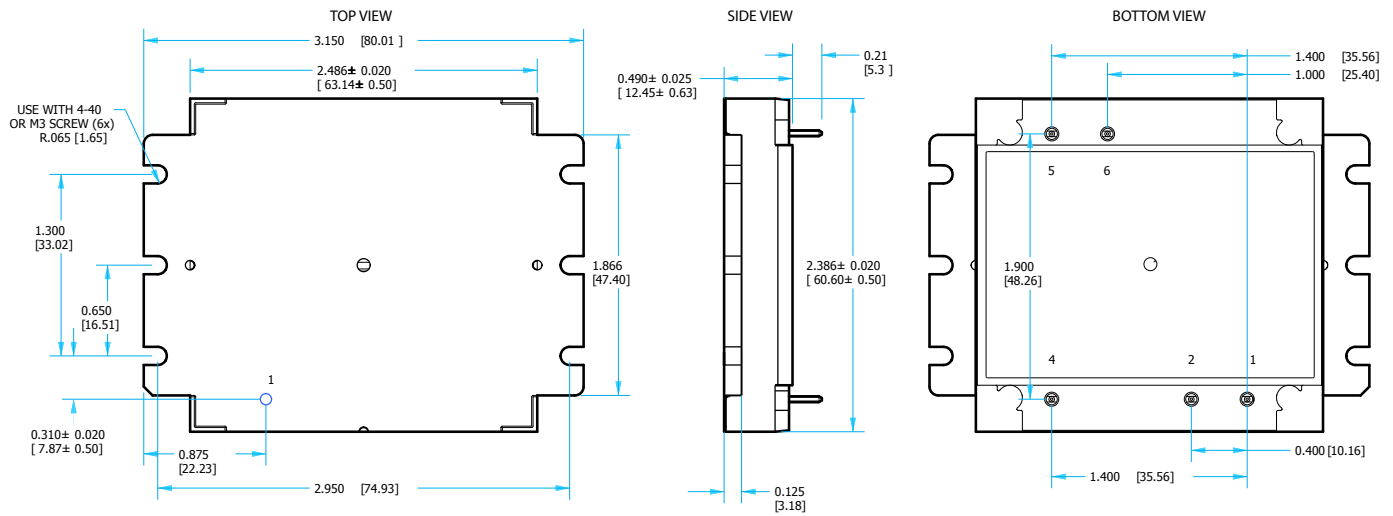
**PIN DESIGNATIONS**

Pin	Label	Name	Function
1	L1	L1	AC Line 1
2	L2/N	L2/N	AC Line 2 / Neutral
4	PE GND	PE GND	Protective Earth
5	PFC L1	PFC L1	PFC Input Line 1
6	PFC L2/N	PFC L2/N	PFC Input Line 2 / Neutral



**ACF-U-230-HP-x**  
**Input: 85 to 264 Vrms**  
**Output: 45-800 Hz**  
**Current: 11.5 Arms**

## Encased Mechanical with Flange



### NOTES

- Applied torque per M3 or 4-40 screw is not to exceed 6 in-lb (0.7 Nm)
- Baseplate flatness tolerance is 0.010" (.25 mm) TIR for surface.
- Pins are 0.040" (1.02mm) diameter, with 0.080" (2.03mm) diameter standoff shoulders.
- All Pins: Material - Copper Alloy  
Finish: Matte Tin over Nickel plate
- Undimensioned components only for visual reference.
- Weight: 5.2 oz (148 g)
- All dimensions in inches (mm)  
Tolerances: x.xx +/-0.02 in. (x.x +/-0.5mm)  
x.xxx +/-0.010 in. (x.xx +/-0.25mm)  
- unless otherwise noted.
- Workmanship: Meets or exceeds current IPC-A-610 Class II

### PIN DESIGNATIONS

Pin	Label	Name	Function
1	L1	L1	AC Line 1
2	L2/N	L2/N	AC Line 2 / Neutral
4	PE GND	PE GND	Protective Earth
5	PFC L1	PFC L1	PFC Input Line 1
6	PFC L2/N	PFC L2/N	PFC Input Line 2 / Neutral



## Ordering Information

**ACF-U-230-HP-x**  
**Input: 85 to 264 Vrms**  
**Output: 45-800 Hz**  
**Current: 11.5 Arms**

Part Numbering Scheme					
Family	Input Frequency	Input Voltage	Package Size	Thermal Design	RoHS
ACF	U: 45 - 800 Hz	230: 85 to 264Vrms	HP: Half-Brick Peta	<b>C:</b> Encased Threaded <b>D:</b> Non-Threaded <b>V:</b> Flanged	<b>G:</b> RoHS

**Example: ACF-U-230-HP-C-G**

**RoHS Compliance:** The EU led RoHS (Restriction of Hazardous Substances) Directive bans the use of Lead, Cadmium, Hexavalent Chromium, Mercury, Polybrominated Biphenyls (PBB), and Polybrominated Diphenyl Ether (PBDE) in Electrical and Electronic Equipment. This SynQor product is 6/6 RoHS compliant. For more information please refer to SynQor's RoHS addendum available at our [RoHS Compliance / Lead Free Initiative web page](#) or e-mail us at rohs@synqor.com.

## Validation, Verification & Certification

**USA Manufacturing Facility: AS9100 & ISO 9001 Certified**

SynQor considers in-house manufacturing to be a core competency and strategic advantage. All SynQor products are manufactured in our manufacturing facility at our corporate headquarters in Boxborough, MA, USA, utilizing state-of-the-art equipment and proprietary assembly techniques. By maintaining both AS9100 and ISO9001 certifications, SynQor is able to provide the same level of attention to detail in our manufacturing processes as we do in our products. We utilize proprietary in-house developed manufacturing data and document control systems that allow us to operate in a paperless manufacturing environment, providing both maximized manufacturing efficiency and flexibility. Ultimately, our manufacturing expertise remains in-house, allowing us to maintain complete control over the quality and traceability of our product down to the component level to meet the most stringent customer and industry requirements.

### Design, Engineering & Manufacturing Process

SynQor employs a stringent, ECO controlled, 5-stage product development process, starting with product concept design and ending with manufacturing integration. We believe that a solid design and DFM review process leads to efficient manufacturing, higher performance, and enhanced reliability. By designing for reliability, SynQor greatly reduces the chance of field defects and increases product integrity.

Concept Design	Design & Verification	Proof of Design	Proof of Manufacturing	Manufacturing Integration
<ul style="list-style-type: none"> <li>Generate electrical specification</li> <li>Review performance requirements</li> <li>Design simulation</li> <li>Schematic</li> <li>Qualify new components</li> <li>Breadboard</li> <li>Prelim thermal analysis</li> </ul>	<ul style="list-style-type: none"> <li>Full layout</li> <li>DFM/DFT Review</li> <li>Build engineering prototypes</li> <li>Debug circuit</li> <li>Worst-case electrical testing</li> <li>Component stress analysis</li> <li>Stability analysis</li> <li>Abnormal electrical testing</li> <li>Specification review</li> <li>Preliminary datasheet</li> </ul>	<ul style="list-style-type: none"> <li>Build units and electrically characterize</li> <li>Verify electrical performance</li> <li>Verify component stress analysis</li> <li>Statistical variations</li> <li>Thermal analysis and imaging</li> <li>HALT testing</li> <li>Complete datasheet</li> </ul>	<ul style="list-style-type: none"> <li>Controlled Production Build</li> <li>ATE testing</li> <li>Yield analysis</li> <li>Validate and finalize manufacturing processes and Tooling</li> <li>1000 hour life test</li> <li>Qualification testing (humidity, vibration, DMT, PTC, thermal and mechanical shock, altitude and solderability)</li> </ul>	<ul style="list-style-type: none"> <li>Processes transfer</li> <li>Full documentation release (SCD's, BOM, processes, procedures, etc.)</li> <li>Release qualification reports</li> <li>Release final datasheet</li> <li>Transfer units to finished goods</li> </ul>

### Contact SynQor for further information and to order:

**Phone:** 978-849-0600 **Toll Free:** 888-567-9596 **Fax:** 978-849-0602

**E-mail:** [power@synqor.com](mailto:power@synqor.com) **Web:** [www.synqor.com](http://www.synqor.com)

**Address:** 155 Swanson Road, Boxborough, MA 01719 USA

### WARRANTY

SynQor offers a two (2) year limited warranty. Complete warranty information is listed on our website or is available upon request from SynQor.

### PATENTS

SynQor holds numerous U.S. patents, one or more of which apply to most of its power conversion products. Any that apply to the product(s) listed in this document are identified by markings on the product(s) or on internal components of the product(s) in accordance with U.S. patent laws. SynQor's patents include the following:

6,896,526 6,927,987 7,050,309 7,765,687

7,787,261 8,149,597 8,644,027